

Smart Shelvings

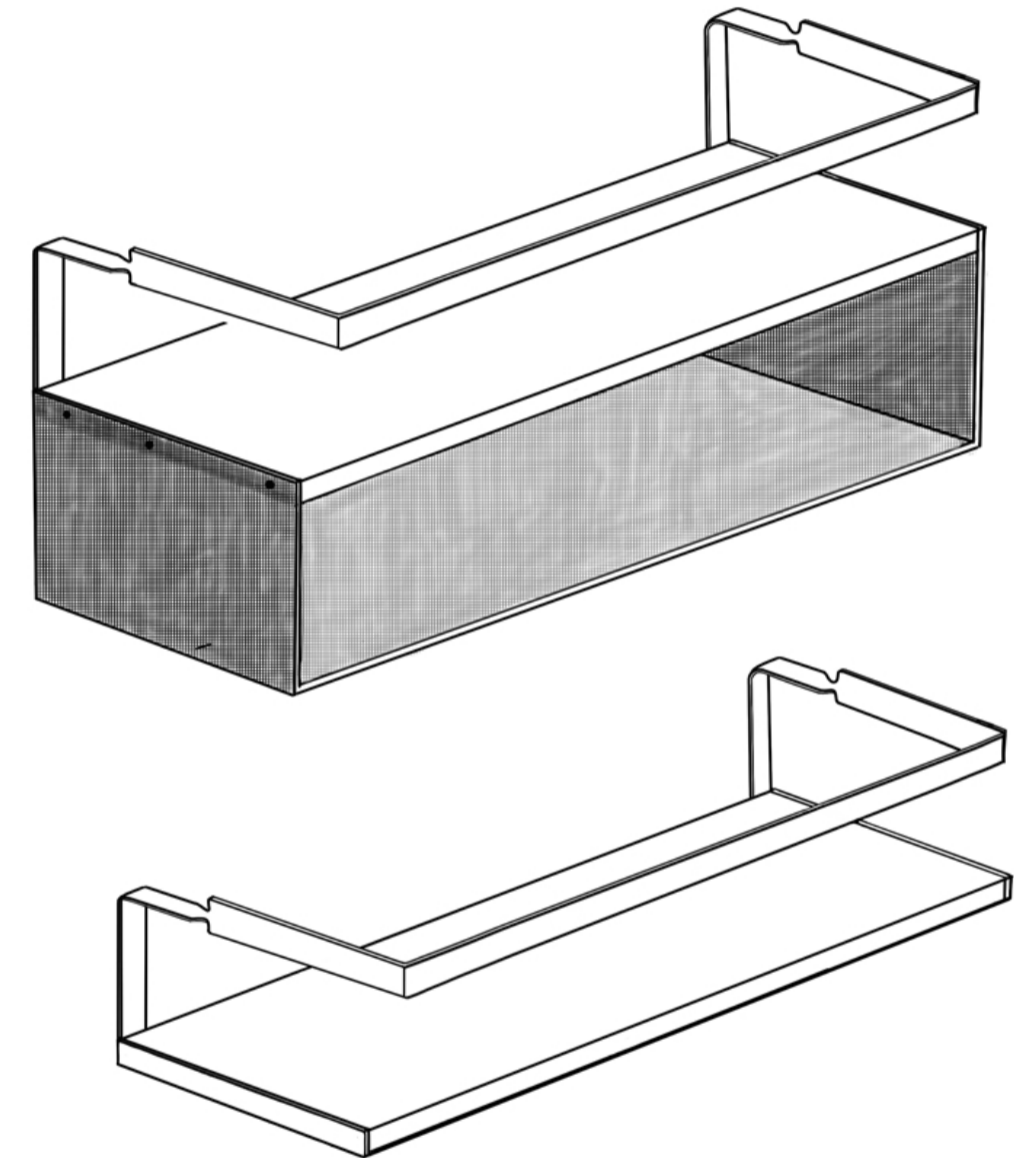
Model: SSM01

Floating Shelf Manual

Rustic Floating Shelves made from Solid Pine

Instructions to attach shelf to wall:

1. Determine the location where you want to install the shelf.
3. Place the provided level tool on the center of shelf.
4. Holding the shelf in place where it is to be installed, use a pencil to mark the wall through the holes of the shelf bracket.
5. Install the drywall anchors where you marked the holes on the wall:
 - a. First, place the anchor's tip end to the wall and using a hammer drive it in up to the thread.
 - b. Second, using a screwdriver turn the anchor clockwise until it is flush with the wall.
 - c. Repeat a) and b) for the second anchor.
6. Install the screws provided in to the anchor using a screwdriver and turning it clockwise until there is a gap between screw head and wall of about 1/4" or 6mm.
7. Install the shelf bracket over the screws and let it rest in place.
8. Tighten the screws to secure shelf to wall (do not over-tighten).



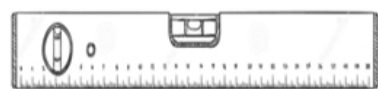
We hope you liked the SMART SHELVINGS Rustic Floating Shelves.
We would appreciate your honest review on Amazon.com.
For any questions email at support@vintageousproducts.com.

Thank you for being a valued customer.
We hope that our product meets your expectations.
Let us know if you have any questions or concerns
at support@vintageousproducts.com

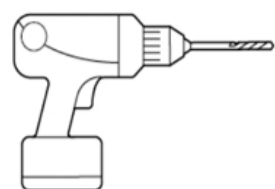
TOOLS NEEDED (NOT INCLUDED)



Stud Finder



Leveler



Power Drill



Phillips
Screwdriver



5/64

Wood Drill bit



15/64

Concrete Drill bit

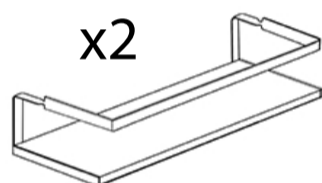


Hammer

SUPPLIES AND HARDWARE (INCLUDED)

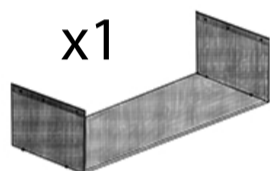
Wood Shelves

x2



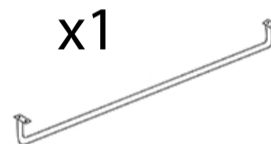
metal basket

x1



metal towel bar

x1



Bonus: Metal hooks

x5



plastic dry wall anchors

x4



Use on DRY WALL
only

plastic concrete or brick wall anchors

x4



Use on Concrete or
Brick Wall only

short screws



x4

long screws



x4

small attachment screws



x12

SAFETY INFORMATION

Inspect the packaging for all the supplies and hardwares to ensure that all the components are present and undamaged.

If you require replacement parts or need additional instructions, contact support at support@vintageousproducts.com.

Product should be used for the purpose indicated in this manual.

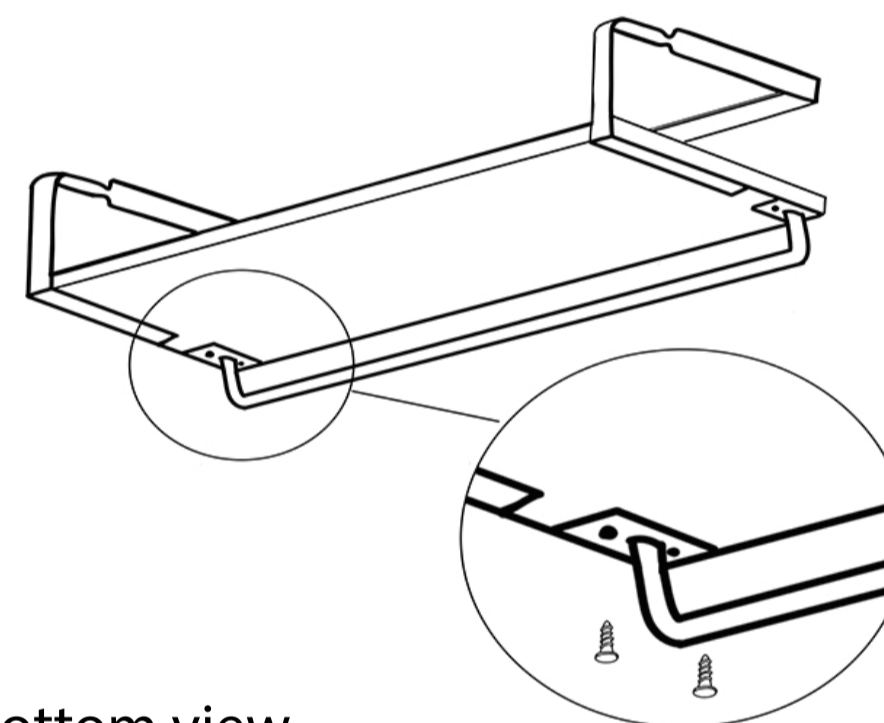
Do not exceed the weight limit of max 40 pounds (lbs).

We are not liable for any damages or injuries due to the improper mounting, improper use, and installation of the products.

Floating Shelf Instructions

Instructions to attach metal bar to shelf:

1. Before you install the shelf to the wall, turn one over and place on a flat surface.
2. Position the metal bar at the front and center of bottom of the shelf.
3. Affix the bar to the shelf using the small black screws provided (do not over tighten).



back/bottom view

